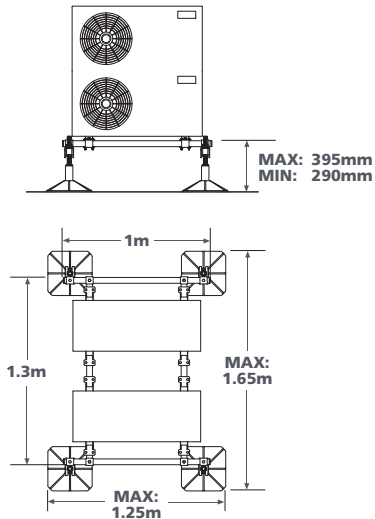


WEIGHT: 42KG



SYSTEM COMPONENTS

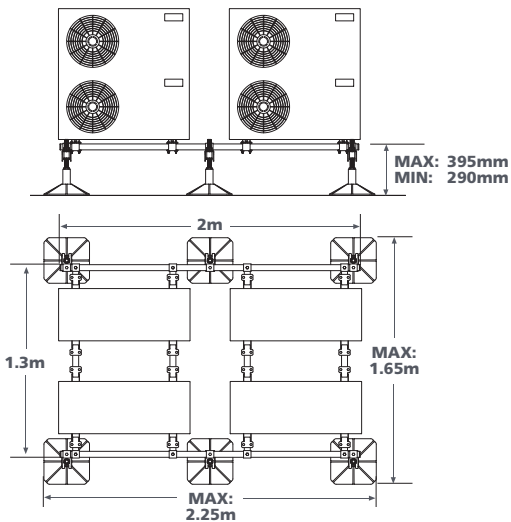
- 2 x 1m PLAIN BARS – 40 x 40 SECTION
- 2 x 1.2m CROSS BARS – 40 x 40 SECTION
- 4 x LEG ASSEMBLIES WITH AV MATS – 305mm²
- 2 x CLAMP KITS



2 Unit System Framework – Part no. B6075

1 METRE SYSTEM FRAMEWORK

WEIGHT: 70KG



SYSTEM COMPONENTS

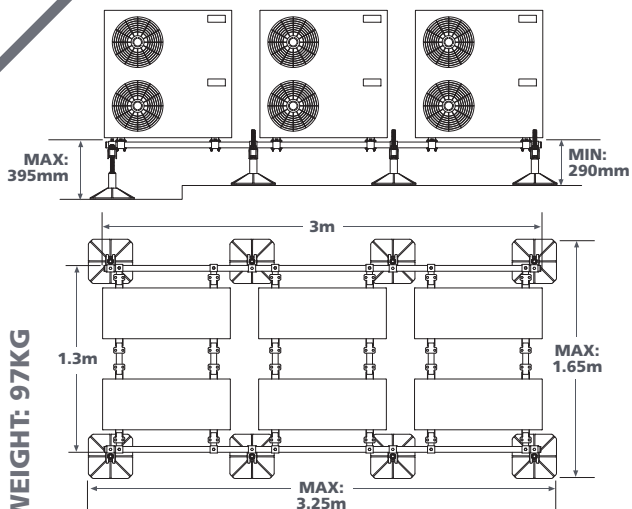
- 2 x 2m PLAIN BARS – 40 x 40 SECTION
- 4 x 1.2m CROSS BARS – 40 x 40 SECTION
- 6 x LEG ASSEMBLIES WITH AV MATS – 305mm²
- 4 x CLAMP KITS



4 Unit System Framework – Part no. B6077

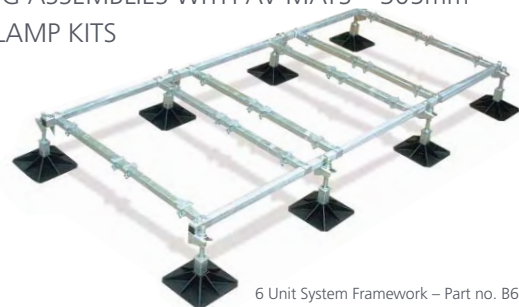
2 METRE SYSTEM FRAMEWORK

WEIGHT: 97KG



SYSTEM COMPONENTS

- 2 x 3m PLAIN BARS – 40 x 40 SECTION
- 6 x 1.2m CROSS BARS – 40 x 40 SECTION
- 8 x LEG ASSEMBLIES WITH AV MATS – 305mm²
- 6 x CLAMP KITS



6 Unit System Framework – Part no. B6078

3 METRE SYSTEM FRAMEWORK